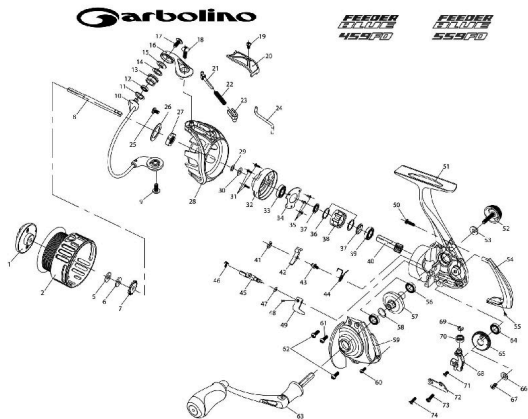


## CARACTÉRISTIQUES



KEY NO.	PART NAME	DESCRIPTION	KEY NO.	PART NAME	DESCRIPTION
1	DRAG KNOB ASSEMBLY	BOUTON DE FREIN	38	ONE WAY CLUTCH ASSEMBLY	ANTI RETOUR INFN (AR)
2	SPOOL ASSEMBLY	BORNE COMPLETE	39	BALL BEARING	ROULEMENT A BILLES
3	---	---	40	FRISK	FRISK
4	---	---	41	SELF LOCKING WASHER	CIRCLIPS
5	WASHER	RONDILLE	42	NR PAWL	DOGT ARI
6	WASHER	RONDILLE	43	NR PAWL STUD	ANTI DOGT ARI
7	CLICK RATCHET	ROUE DENTEE	44	NR SPRING	RESSORT COMMANDE ARI
8	MAIN SHAFT	AXE PRINCIPAL	45	NR STEM	TELE PLOTE ARI
9	SCREW	VIS	46	NR STEM SPRING	RESSORT TIGE PLOTE ARI
10	BAL ASSEMBLY	ANSE DE PANIER	47	O RING	JOINT TORQUE
11	WASHER	RONDILLE	48	SCREW	VIS
12	BALL BEARING	ROULEMENT A BILLES	49	NR LEVER	COMMANDE ARI
13	LINE ROLLER	GALET	50	SCREW	VIS
14	WASHER	RONDILLE	51	FRAME	BÂTI
15	LINE ROLLER WASHER	RONDILLE DE GALET	52	HANDLE LOCK SCREW	ECRAN MANIVELLE
16	BAL BRACKET	BRAS SUPPORT	53	WASHER	RONDILLE
17	SCREW	VIS	54	REAR COVER	ENKOLLEUR
18	SCREW	VIS	55	SCREW	VIS
19	SCREW	VIS	56	BALL BEARING	ROULEMENT A BILLES
20	BAL ARM COVER	CAPOT	57	DRIVE GEAR	ROUE DE COMMANDE
21	TRIP LINK	TELE OUIE RESSORT	58	DRIVE GEAR WASHER	RONDILLE
22	SLIDER SPRING	RESSORT COUSSANT	59	SIDE COVER	CAPOT BÂTTI
23	TRIP SPRING HOLDER	DUKE RESSORT	60	SCREW	VIS
24	BAL TRIP WIRE	TRINCLE	61	SCREW	VIS
25	SCREW	VIS	62	SCREW	VIS
26	LOCK WASHER	RONDILLE FILIN	63	CRANK ASSEMBLY	BRAS DE MANIVELLE
27	PICKUP HOUSING MIT	ECROU ROTOR	64	BALL BEARING	ROULEMENT A BILLES
28	PLUH SEAL	HABILAGE	65	LEVEL WIND GEAR	ROUE DENTEE BOBINAGE GROSSE
29	WASHER	RONDILLE	66	LEVEL WIND GEAR COVER	RONDILLE
30	WASHER	RONDILLE	67	SCREW	VIS
31	SCREW	VIS	68	LEVEL WIND BRACKET	COMMANDE BOBINAGE GROSSE
32	BEARING HOLDER	SUPPORT ROULEMENT	69	SELF LOCKING WASHER	CIRCLIPS
33	BALL BEARING	ROULEMENT A BILLES	70	BALL BEARING	ROULEMENT A BILLES
34	BEARING BASE PLATE	CAPOT ROULEMENT	71	SCREW	VIS
35	SCREW	VIS	72	L.W BRACKET PLATE	PLAQUE COMMANDE BOBINAGE GROSSE
36	WASHER	RONDILLE	73	SCREW	VIS
37	WASHER	RONDILLE	74	SCREW	VIS

